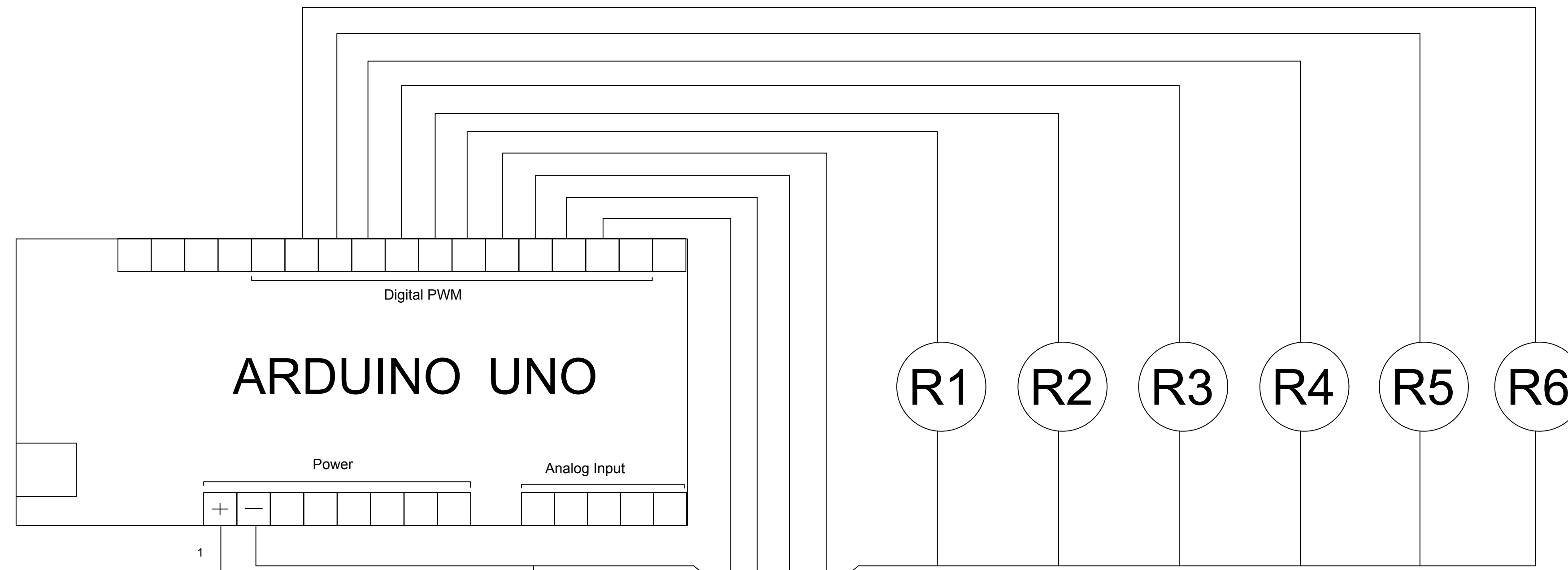


12Vdc



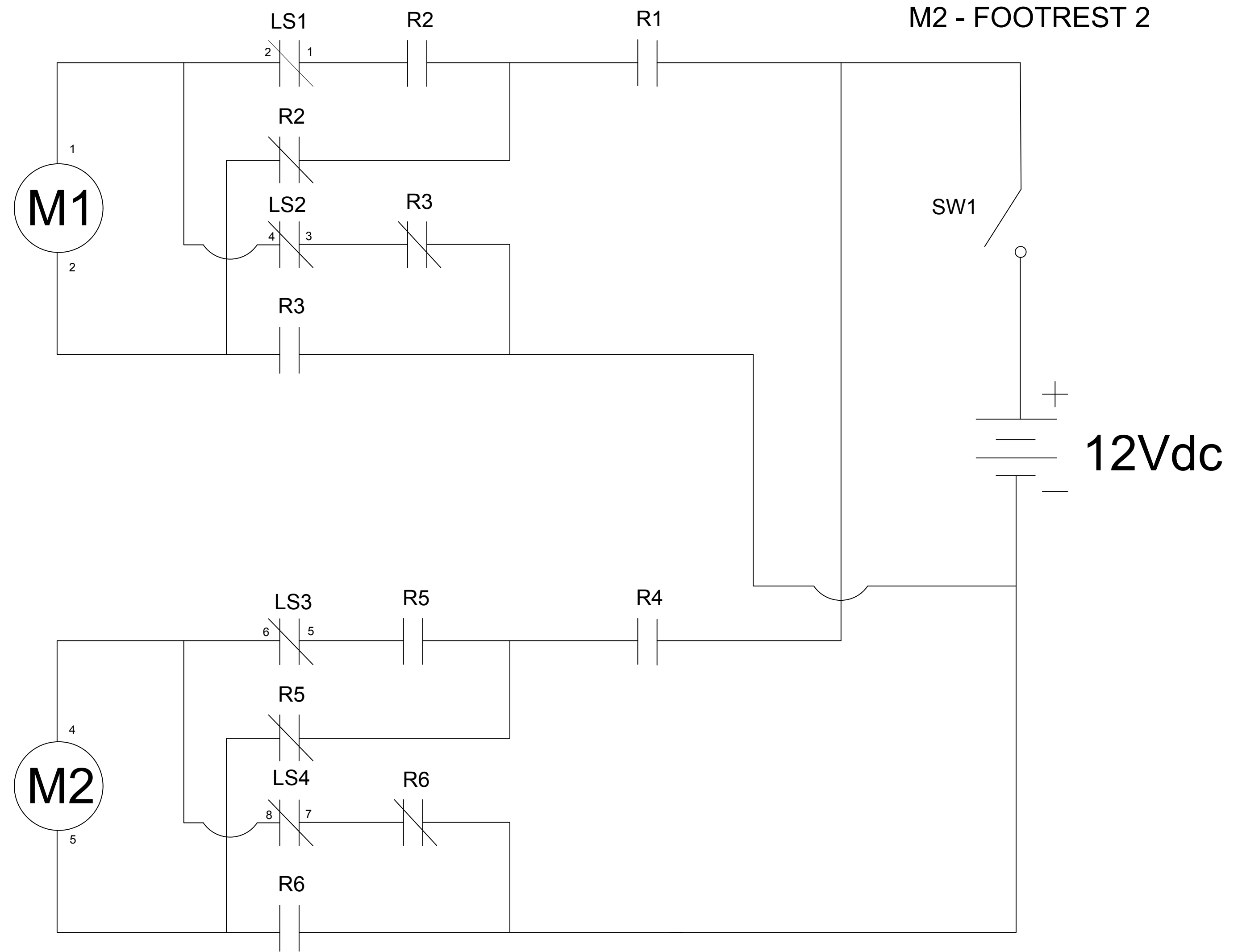
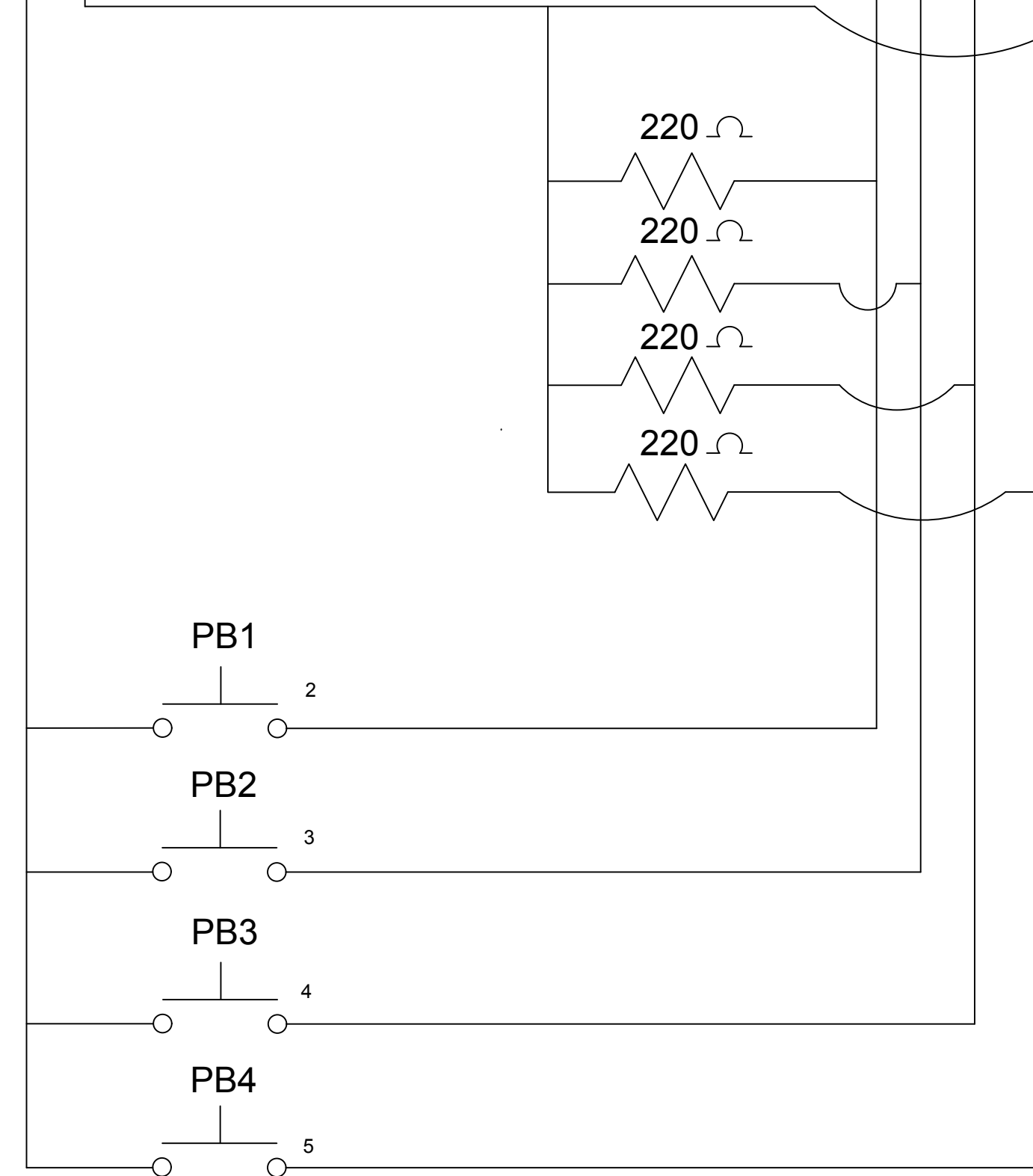
LS1 - FOOTREST 1 UNFOLDED
 LS2 - FOOTREST 1 FOLDED
 LS3 - FOOTREST 2 UNFOLDED
 LS4 - FOOTREST 2 FOLDED

R1 - START/STOP FOOTREST 1
 R2 - RAISE FOOTREST 1
 R3- LOWER FOOTREST 1
 R4 - START/STOP FOOTREST 2
 R4 - RAISE FOOTREST 2
 R5 - LOWER FOOTREST 2

SW1 - ON/OFF SWITCH

PB1 - RAISE FOOTREST 1
 PB2 - LOWER FOOTREST 1
 PB3 - RAISE FOOTREST 2
 PB4 - LOWER FOOTREST 2

M1 - FOOTREST 1
 M2 - FOOTREST 2



Itemref	Quantity	Title/Name, designation, material, dimension etc	Article No./Reference
Designed by M.Selivanov	Checked by A12	Approved by - date 11/5/2021	Filename Project A12
Team A12		Date 11/5/2021	Scale
M.Selivanov		Edition 3	Sheet