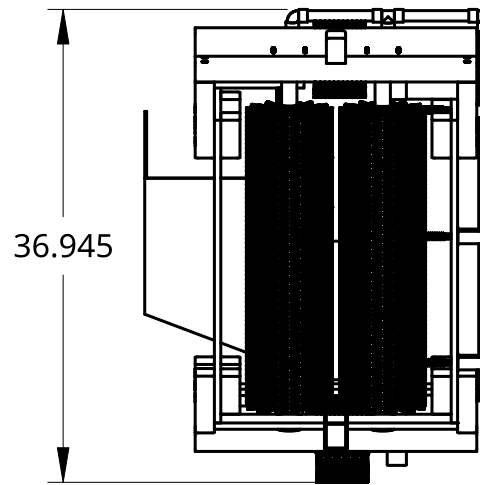
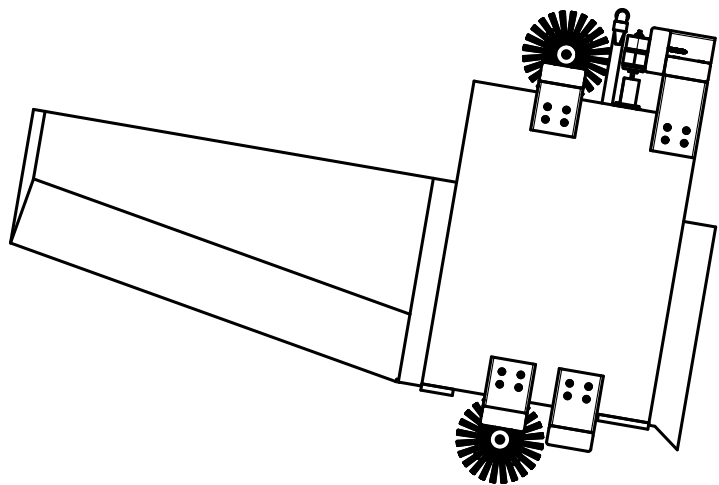
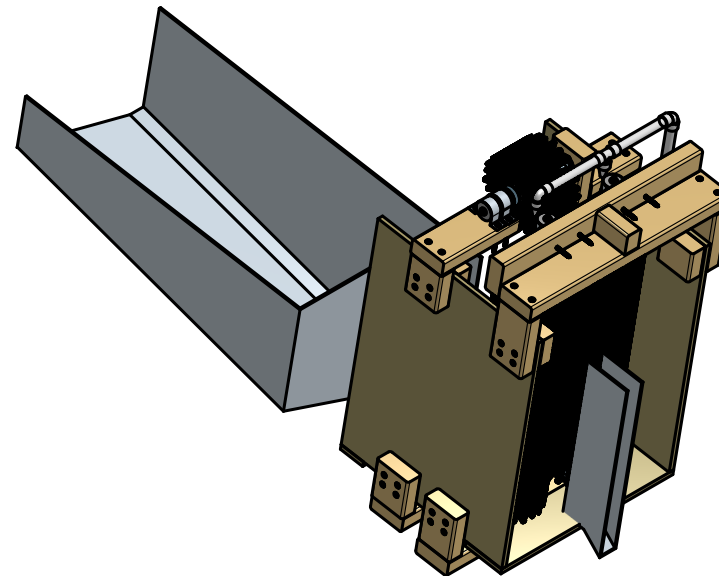
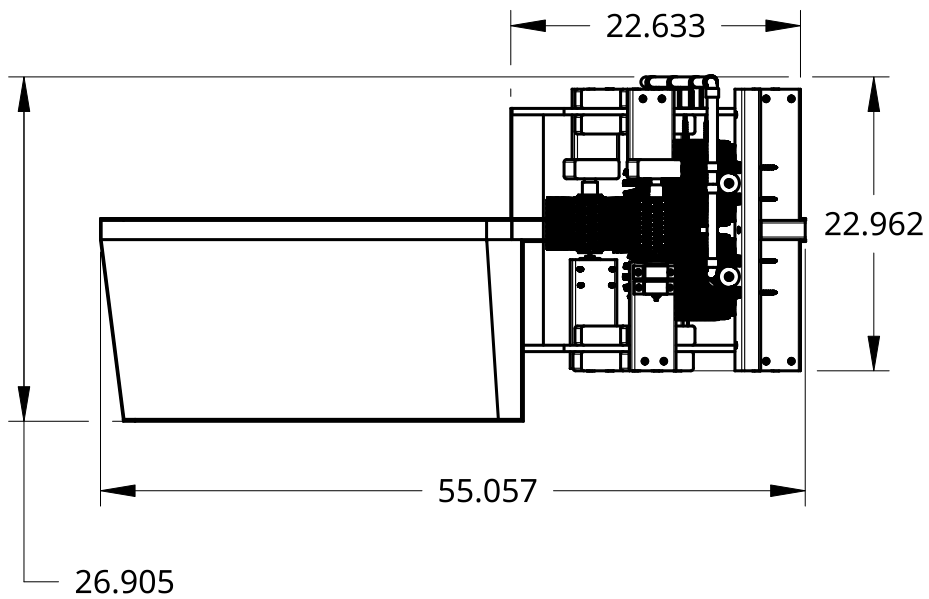


2

1



UNLESS OTHERWISE SPECIFIED,
DIMENSIONS ARE IN INCHES

.XX = ±.0-
.XXX = ±.00-
.XXXX = ±.000-
ANGULAR = ± °
FRACTIONAL = ±

SURFACE FINISH

DO NOT SCALE DRAWING

BREAK ALL SHARP EDGES AND
REMOVE BURRS

THIRD ANGLE PROJECTION



	NAME	DATE
DRAWN	NOAH MCCREADY	11/08/2022
CHECKED	SARA PARSONS	11/08/2022
APPROVED	THE FURIOUS 5	11/08/2022
MATERIAL	FINISH	

GROWCER DESIGN

TITLE
HYDROPONIC RAFT CLEANER
A17
(The Furious 5)

SIZE	DWG NO.	REV.
A	PROTOTYPE	1
SCALE 1:15	WEIGHT	SHEET 1 of 1

2

1

B

B

A

A