

TABLE TOP WITH RECESSED TABLET HOLDER

Group 2

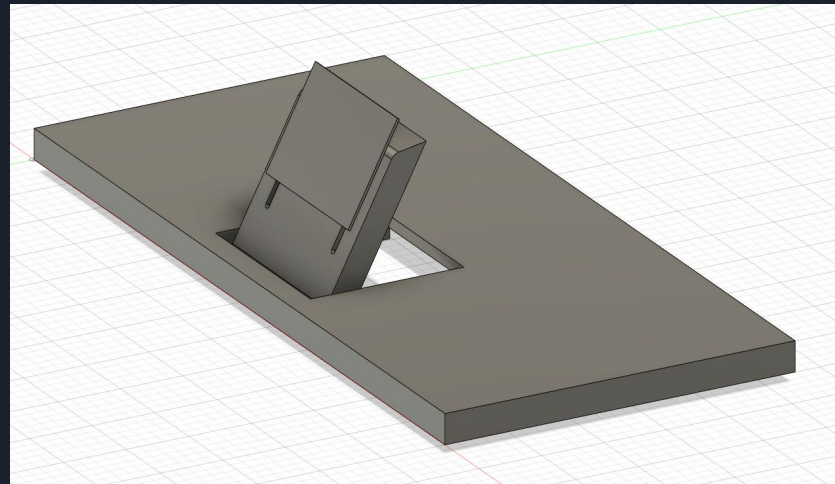
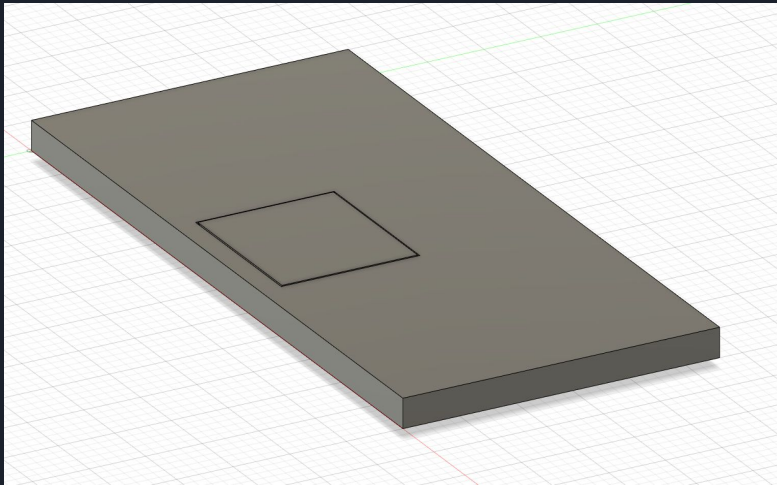
David Manyok

Jonathan Michaud

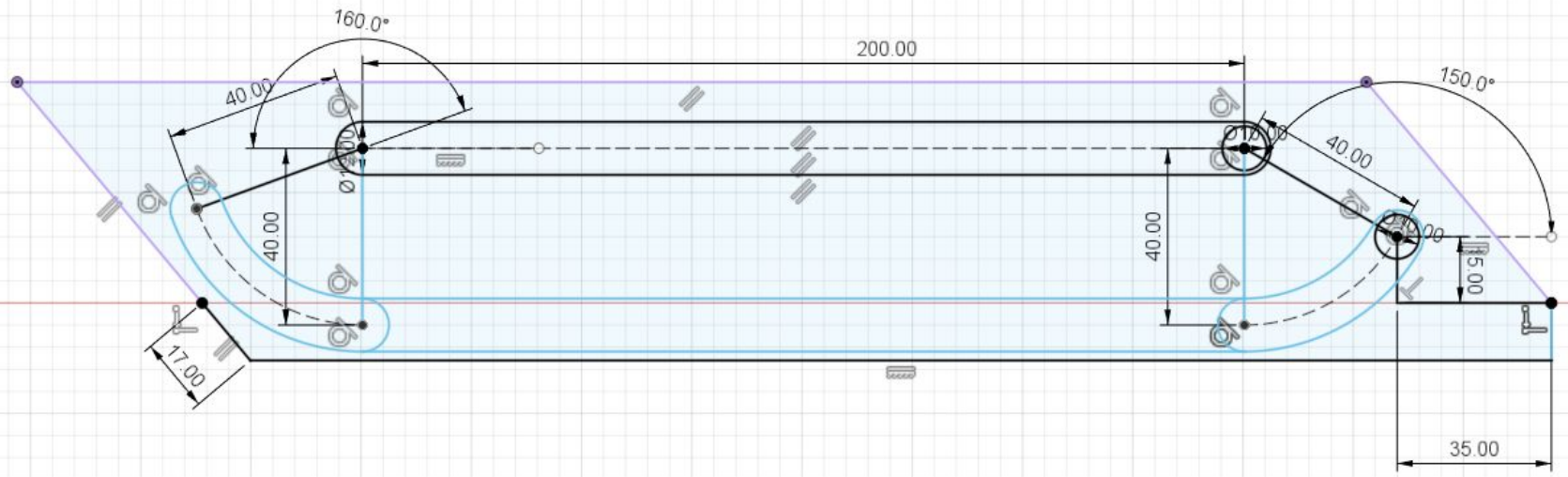
Shayleen Ghanaat

William Hayes

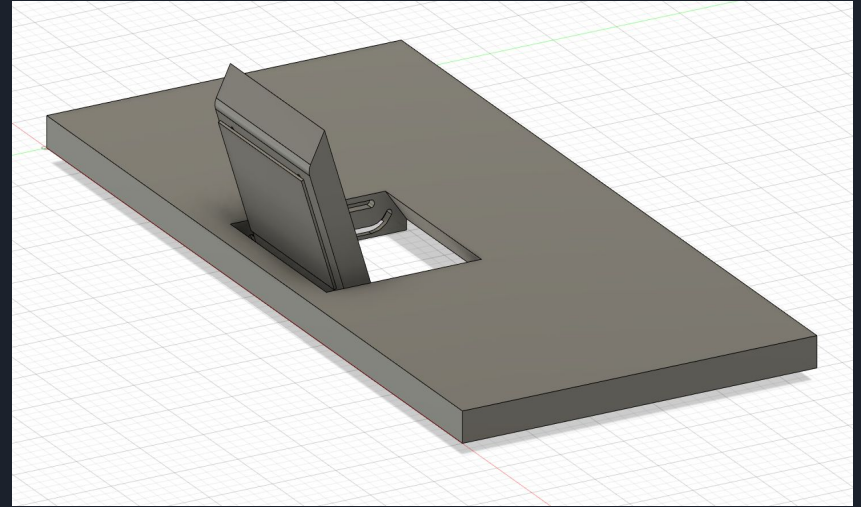
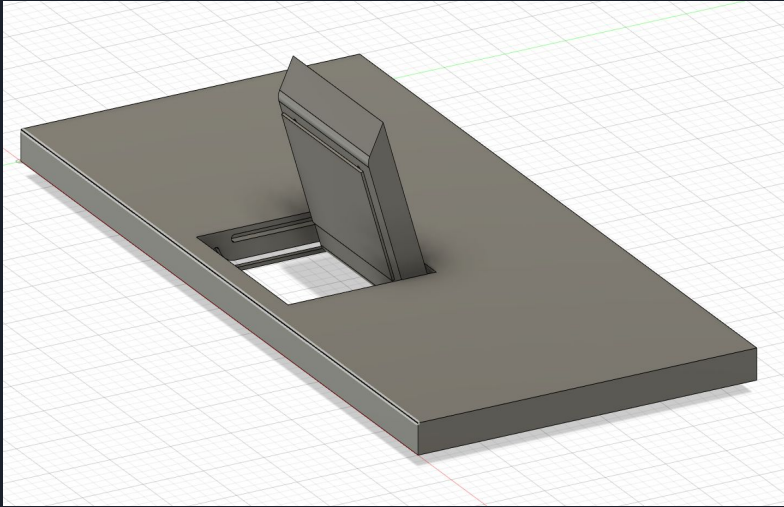
Detailed Design and Prototype 1



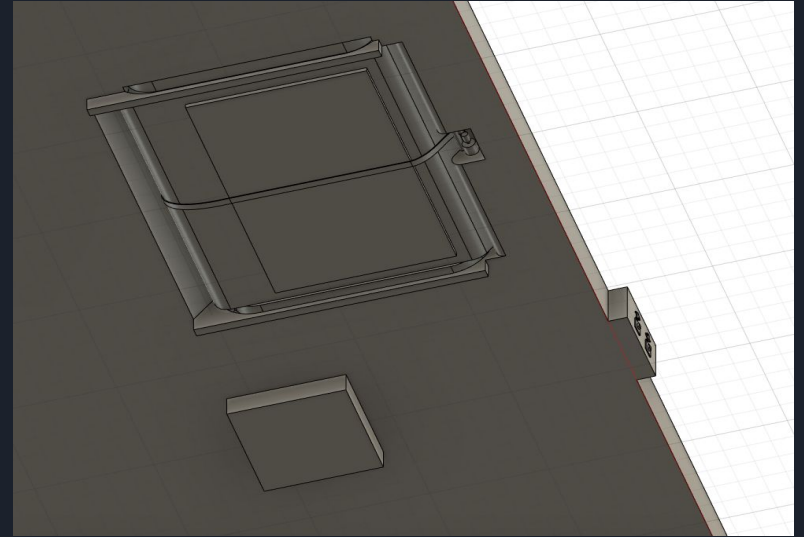
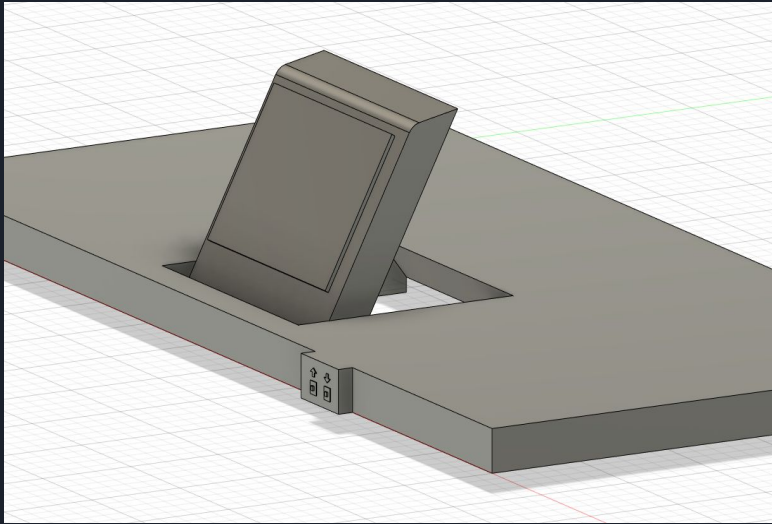
Detailed Design and Prototype 1



Detailed Design and Prototype 1



Detailed Design and Prototype 1



Detailed Design and Prototype 1

