



## Needs ●

- The jig must save time to the workers.
- Able to ensure straight drilling/tapping (guides).
- Easy to use.
- Doesn't damage the wood on the door.
- Light weight.
- Portable/Durable.

# THANK YOU FOR YOUR ATTENTION



UNHINGED

## Let's Connect

Website

<https://makerepo.com/Jordan/1693.gng1103g16unhinged>



# GROUP 16 UNHINGED

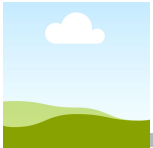


UNHINGED

# The Team



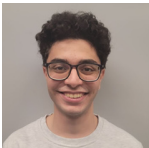
**Nicolas Alvarez**  
Team Manager



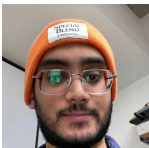
**William Mackey**  
Engineer



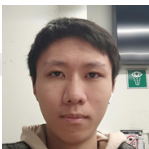
**Jordan DeRose**  
Engineer



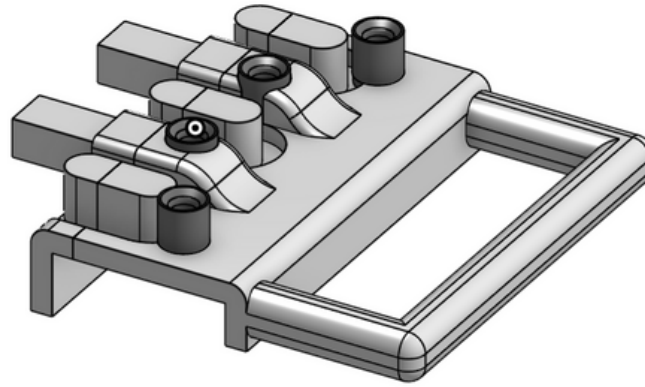
**John Abdelmessih**  
Quality Controller



**Ramit Iqbal**  
Designer



**Yuheng Wang**  
Report Writer &  
Marketer



## OUR DESIGN

- U-shaped clamp design with rubber band mechanism.
- Extended metal nozzles that will guide the drilling process.
- 3D printed.
- Removable nozzles.
- Two different sizes (4.5" and 5") able to adjust to different backsets.
- Dense rubber pad under the clamps to prevent scratching.
- Perfect grip.
- Easy to use with no knowledge or experience.

## IMPACT

- Time Saving.
- Cost Saving.
- No experience needed.
- Last Longer

