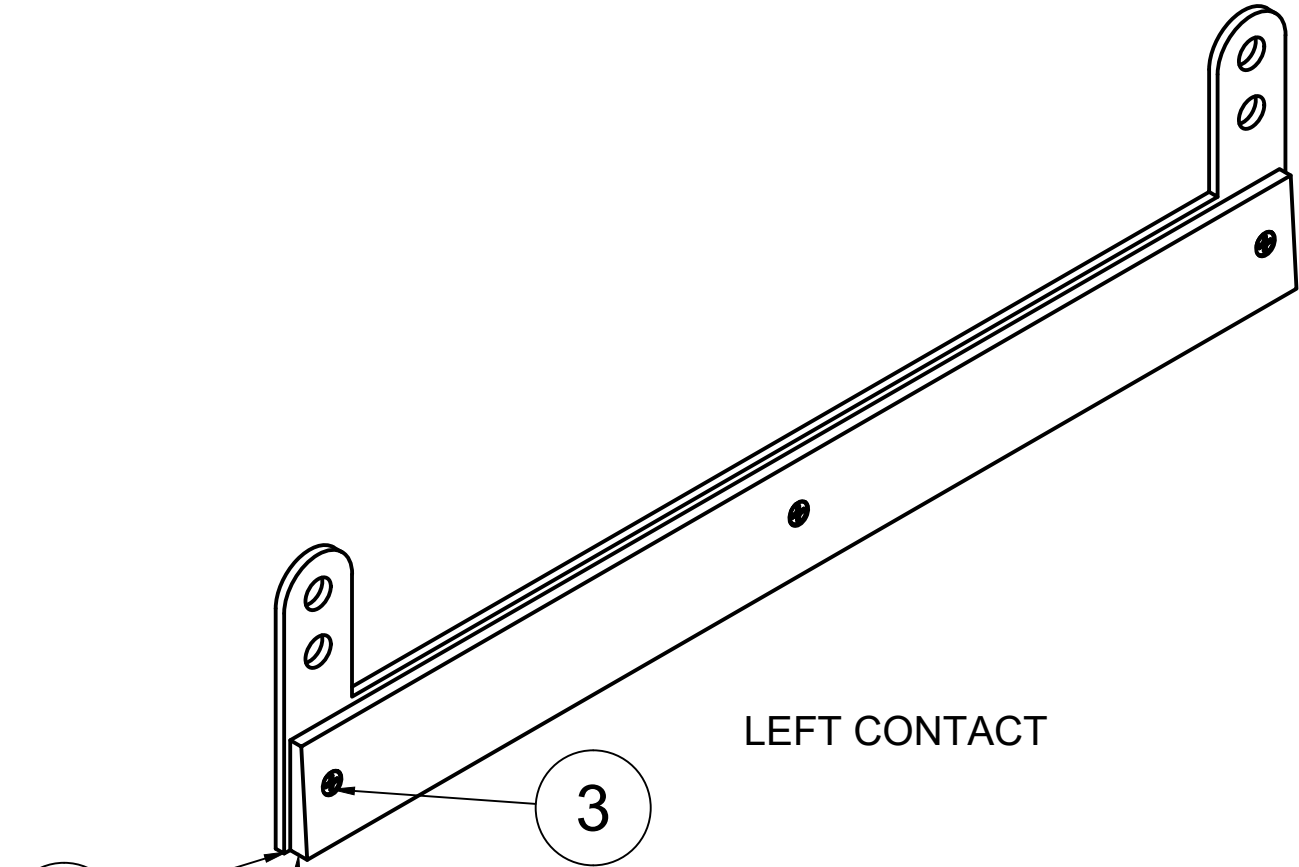


PARTS LIST			
ITEM	QTY	PART NUMBER	MATERIAL
1	1	BACKER (1)	STEEL
2	1	SOFT JAW (1)	TPU
3	3	6-32 SCREW (1)	STEEL

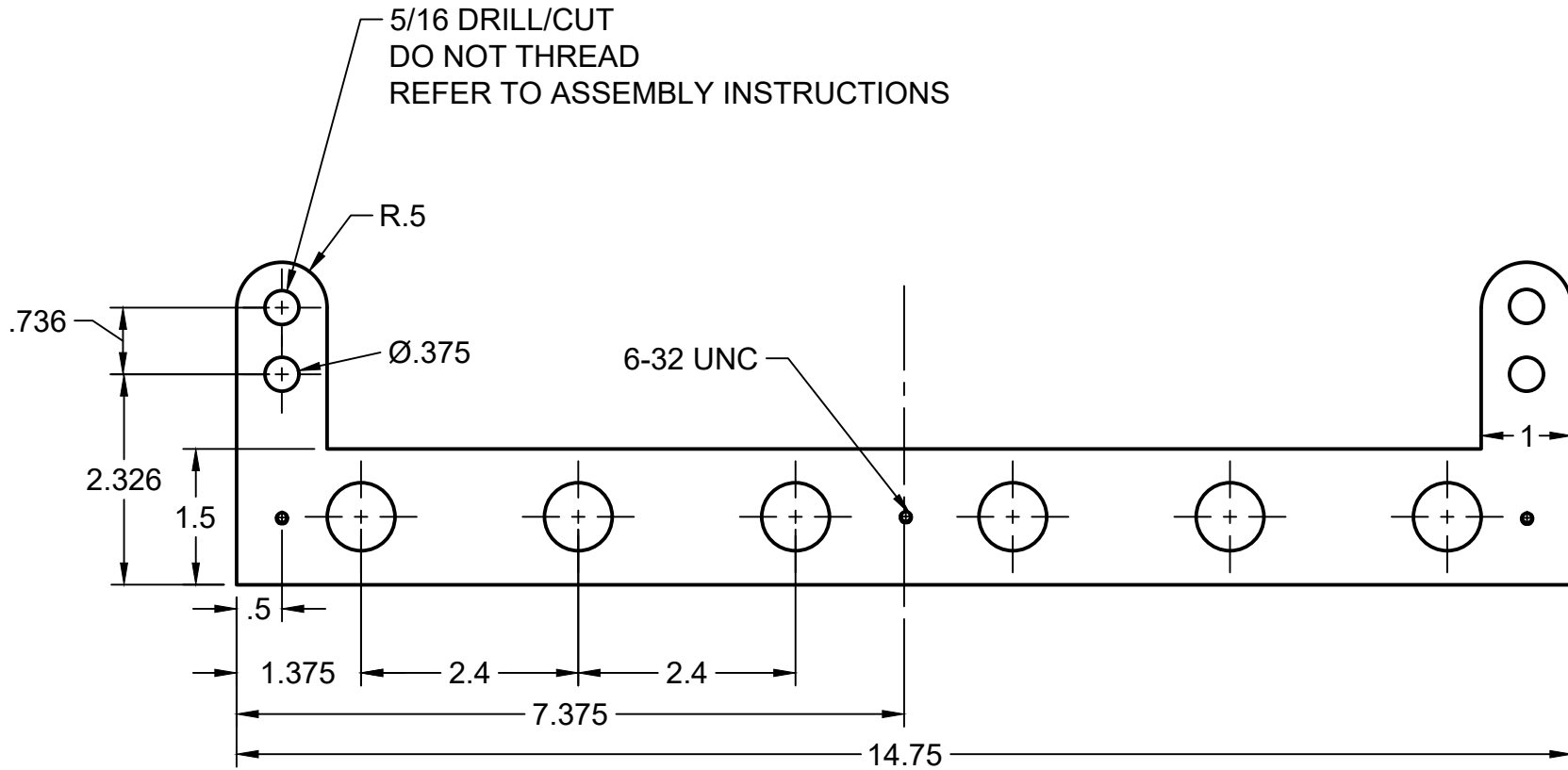


LEFT CONTACT

TOLERANCES  
 Hole spacings:  $\pm 0.005$   
 Hole diameters:  $+0.01$   
 $-0.0$   
 All others:  $\pm 0.01$  unless  
 otherwise stated

Team Two Times Four			
TITLE		UNITS	SIZE
<b>Contact system</b>		INCH	A
DRAWN	Steven Siewert 2024-03-07	SCALE 1:2	SHEET 1/5





5/16 DRILL/CUT  
DO NOT THREAD  
REFER TO ASSEMBLY INSTRUCTIONS

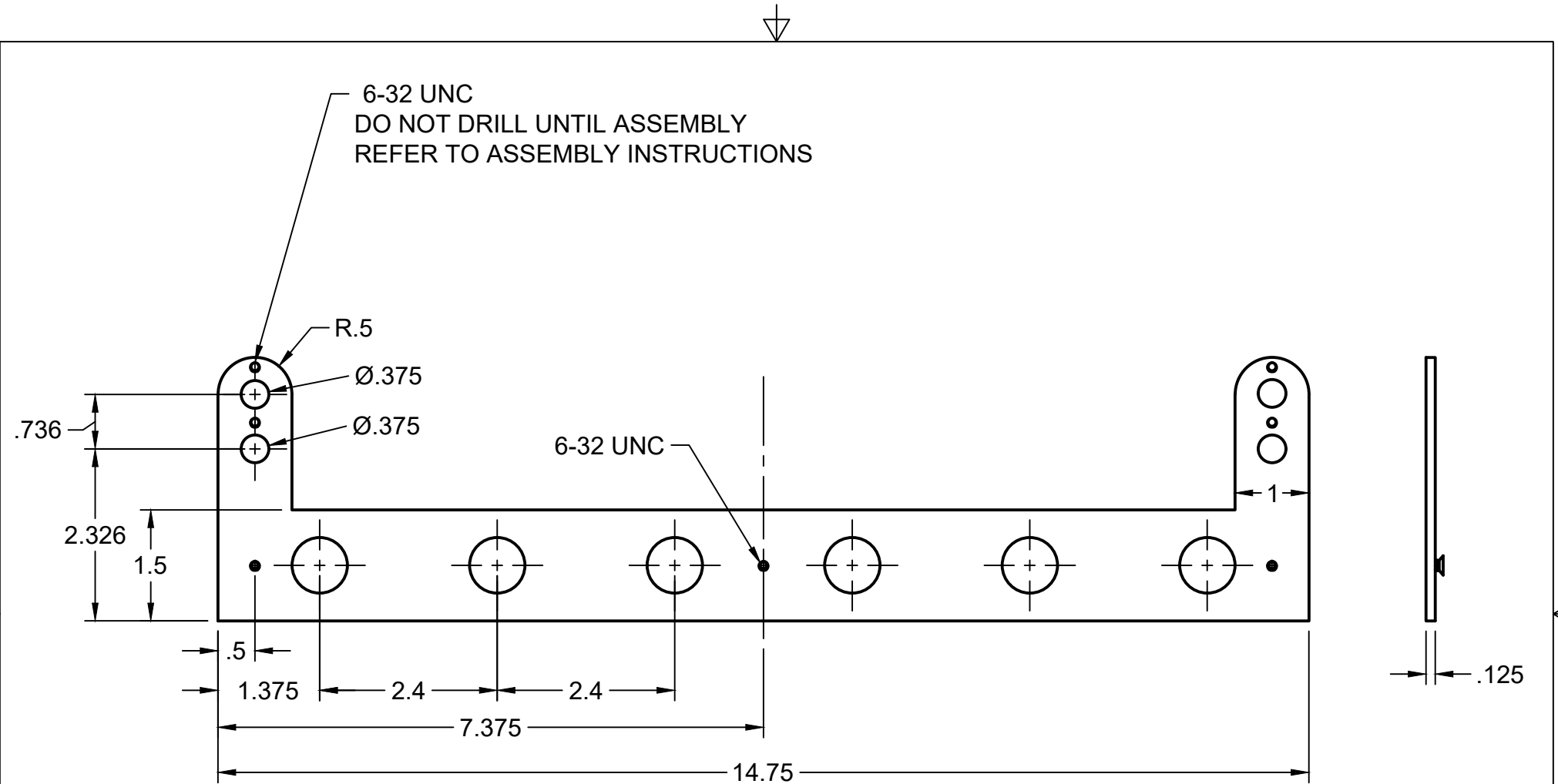
R.5

Ø.375

6-32 UNC

LEFT BACKER

<p>TOLERANCES Hole spacings: ±0.005 Hole diameters: +0.01 -0.0 All others: ±0.01 unless otherwise stated</p>	<p>Team Two Times Four</p>			
	<p>TITLE <b>Contact system</b></p>		<p>UNITS INCH</p>	<p>SIZE A</p>
	<p>DRAWN Steven Siewert 2024-03-07</p>	<p>SCALE 1:2</p>	<p>SHEET 3/5</p>	



RIGHT BACKER

<p>TOLERANCES Hole spacings: ±0.005 Hole diameters: +0.01 -0.0 All others: ±0.01 unless otherwise stated</p>	<p>Team Two Times Four</p>			
	<p>TITLE <b>Contact system</b></p>		<p>UNITS INCH</p>	<p>SIZE A</p>
	<p>DRAWN Steven Siewert 2024-03-07</p>	<p>SCALE 1:2</p>	<p>SHEET 4/5</p>	

