

A need exists for technicians at AMBICO to precisely route a flush bolt cut-out in a wood door with an adjustable jig that is easy to use, does not damage the door and reduces time in the cut-out process.

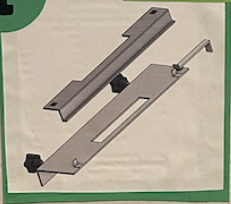
JIG JACKPOT

Unique Features

Current solution	Our solution
The jig cannot be clamped to door	Our jig has an integrated clamping system
Too time consuming (30 minutes)	Our jig is easy to use and requires minimal time (5 minutes)
All measurements must be done by hand	Our jig has 5 pre-measured back sets and a guide from the top of the door

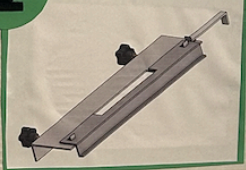
1

Slide the back set guide onto the baseplate pegs at the desired back set length.



2

Using the magnetic guide, place the jig on the door.



3

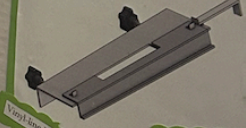
Twist the clamps to lock the jig in place and remove the guide.



Intuitive to use

Made from steel

Removable 12-inch guide



Very useful

Minimal pieces (can be stored as one)

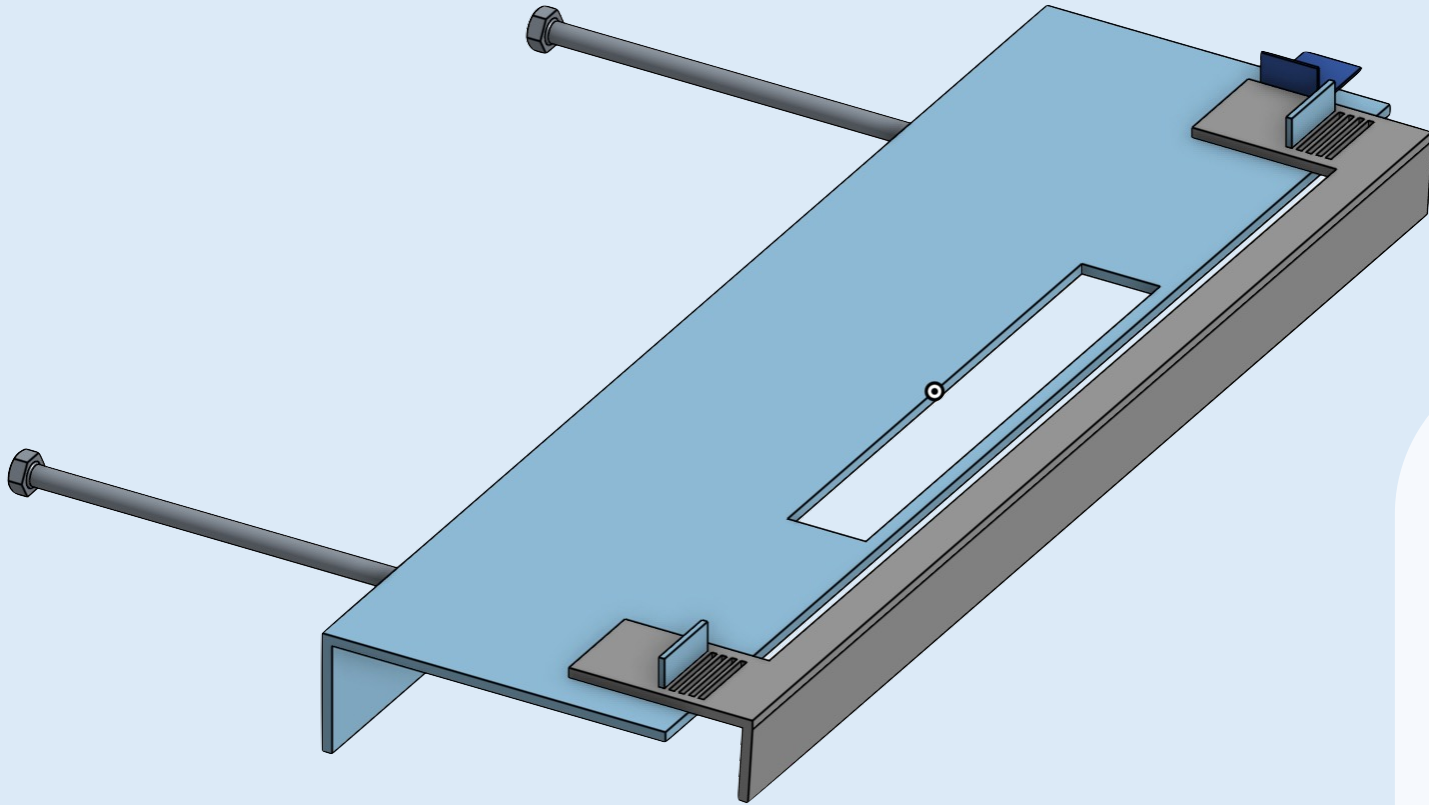
Can be made in-house at AMBICO

~\$50

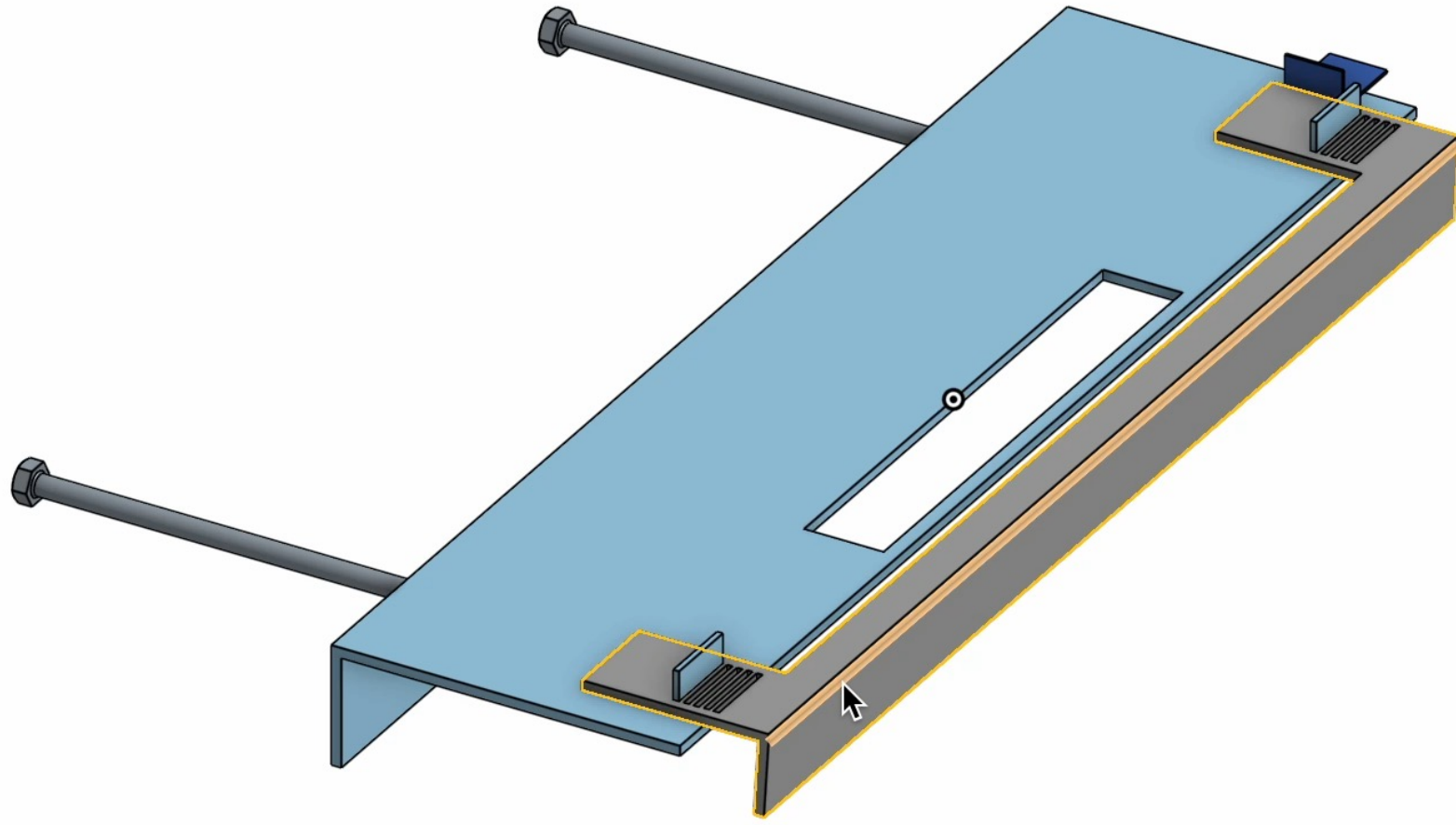


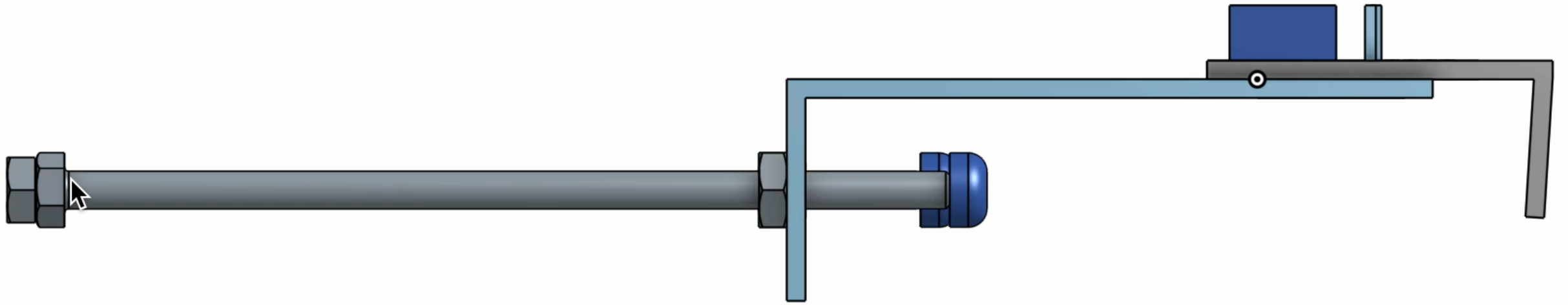
Jig Jackpot

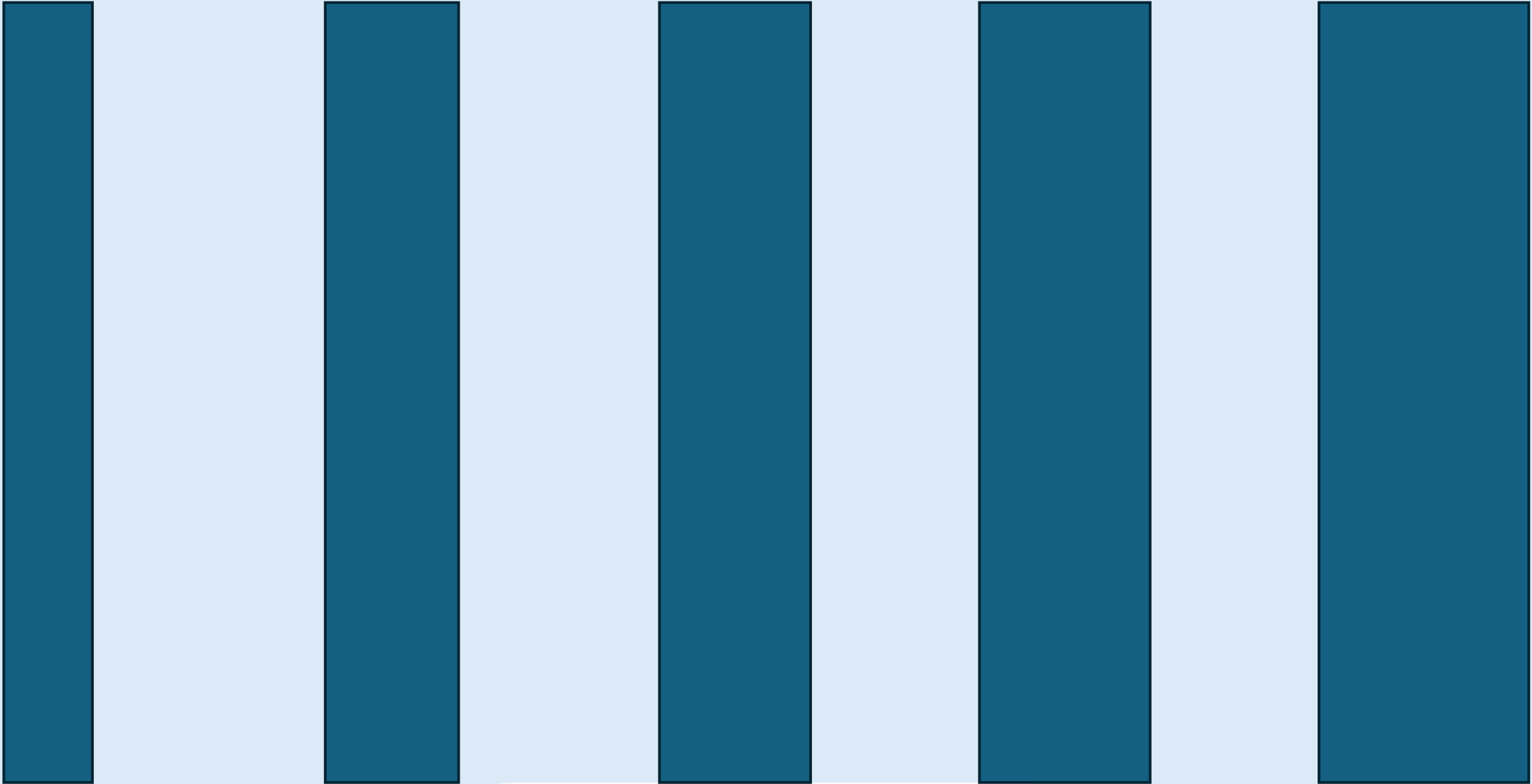
Adjustable flush bolt prep jig for a steel core wood door



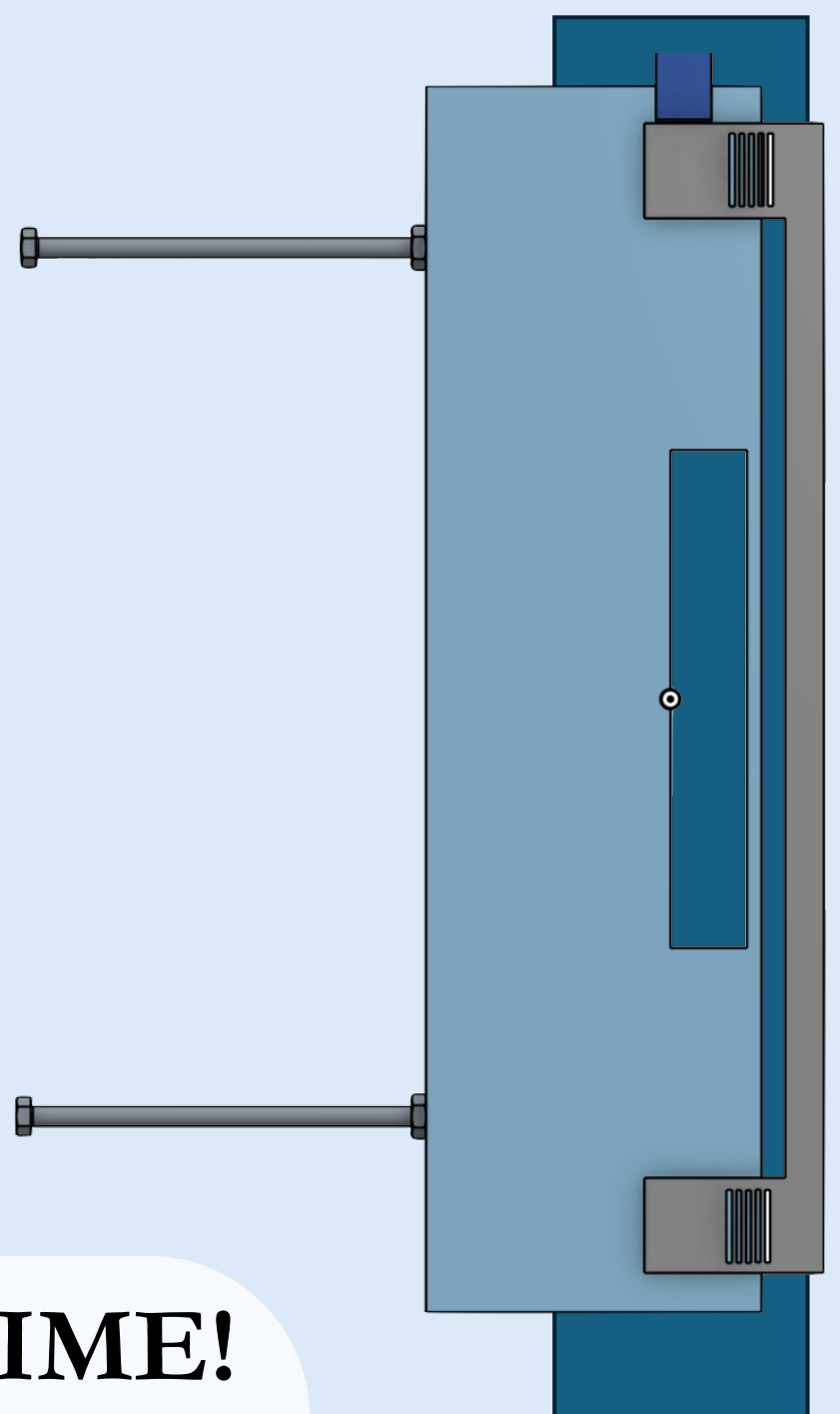
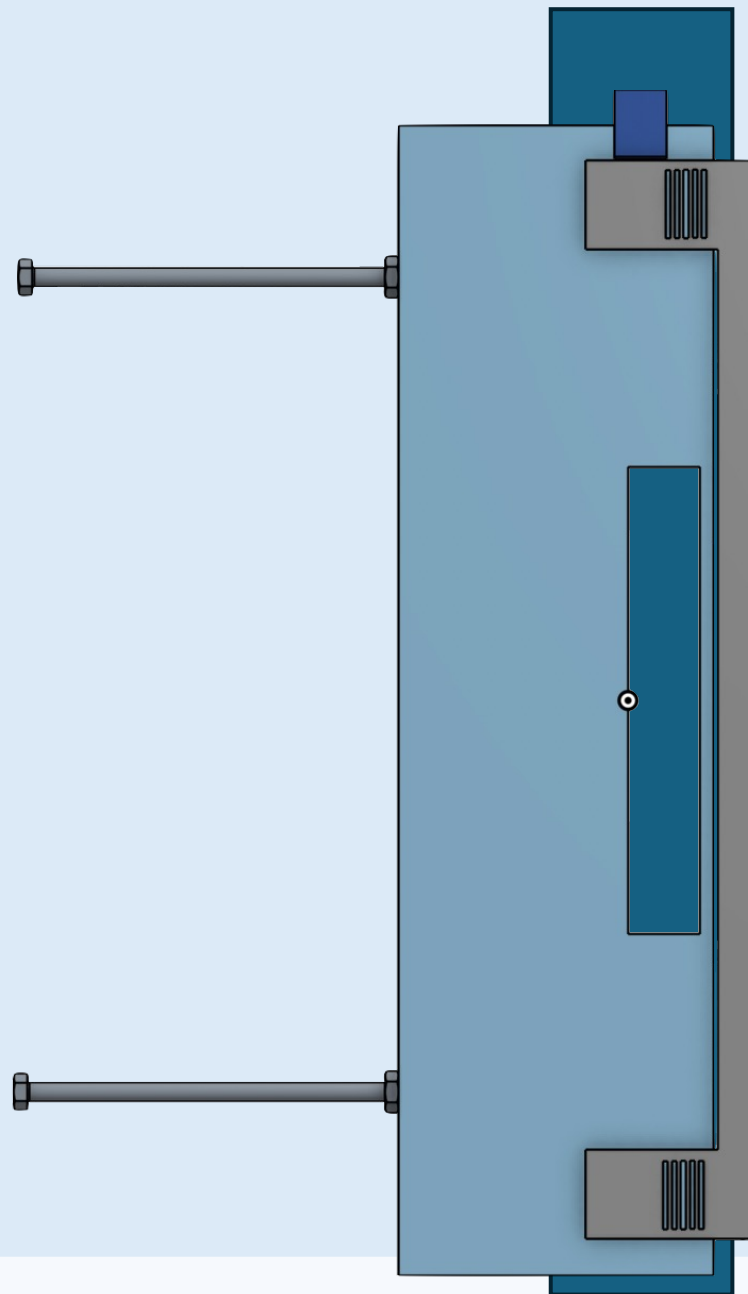
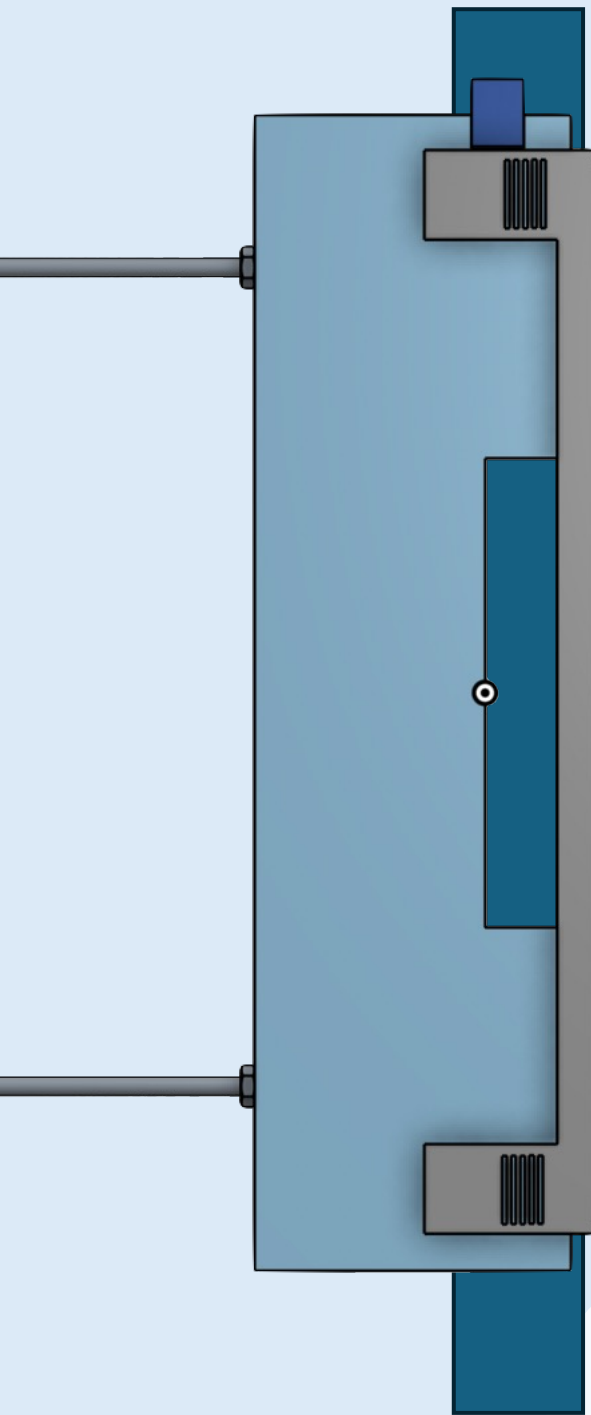
- Adjustable to all 5 door sizes
- Integrated clamp system
- No measurement required!







5 DOOR SIZES ...



CENTERS EVERY TIME!

